

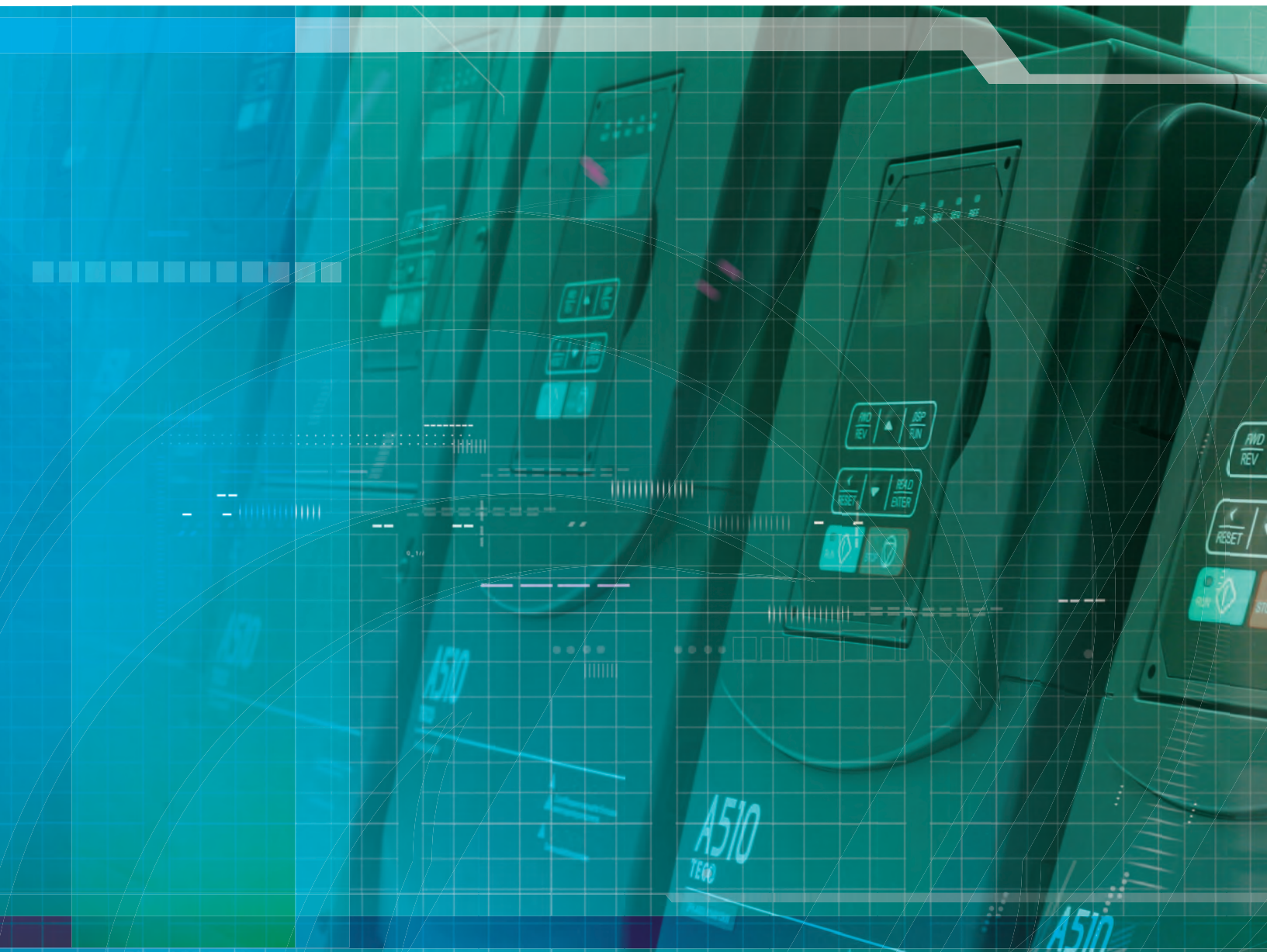


A510

Advanced Current Vector Control Drive



**TAIWAN
EXCELLENCE
2012**



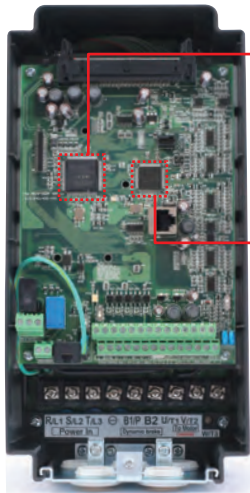
The Complete Motor Control Solution



Contents

Features.....	03
Applications.....	05
Selection Guide.....	06
Wiring Diagram.....	07
Specifications.....	08
Dimensions.....	10

DUAL CORE PROCESSORS



32Bit MCU

Mass computing capability for advanced current vector control technology. Minimizes the internal loop time for higher control response.

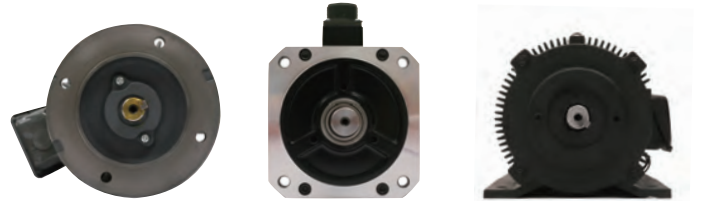
ASIC *Above frame2 models

Prevents inrush current damage to IGBT module. Enhances the reliability and life expectancy of motor drive.

Enhanced Performance & Reliability!

HIGH EFFICIENCY PM MOTOR DRIVING

- Simple parameter settings for easy switching between induction and permanent magnet motors.
- High performance current vector control for induction and permanent magnet motors.



Induction Motor (IM)

- Cost Effective
- Mechanical Robust

Surface Permanent Magnet Motor (SPM)

- Highly Efficient
- Compact Size
- Low Cogging Torque

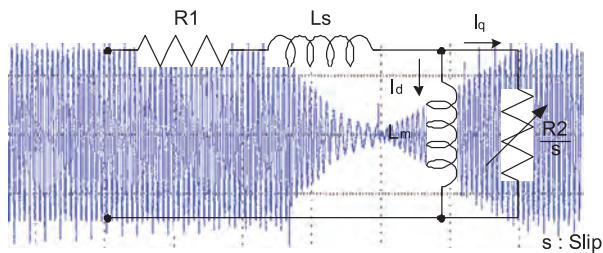
Interior Permanent Magnet Motor (IPM)

- Highly Efficient
- Compact Size
- With Reluctance Torque

ADVANCED MOTOR AUTO-TUNE FUNCTION

Multiple Auto-tune Modes

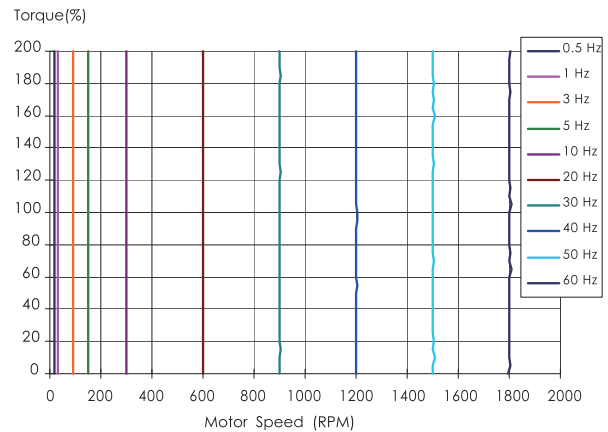
Rotational auto-tune mode	Rotary-type auto-tune for higher performance for precise control.
Static auto-tune mode	The motor shaft will be locked in static auto-tune mode.
Stator resistance measurement	Auto measure the resistor within cable and compensate accordingly.



Motor Equivalent Circuit

200% 0.5Hz STARTING TORQUE

SensorLess Vector (SLV) control mode achieves incredible 200% torque performance at extreme low speed 0.5Hz. Provides stable control experience for wide range of applications.



Sensor Vector Mode (SV) can output 200% holding torque.

CONFORMITY TO GLOBAL STANDARDS

- Conformity to RoHS directive and international recognized certification

RoHS



A510 is loaded with 5th generation kernel has the most advanced motor tuning function to build accurate motor equivalent model automatically.

Optimized current vector control performance provides faster commissioning.

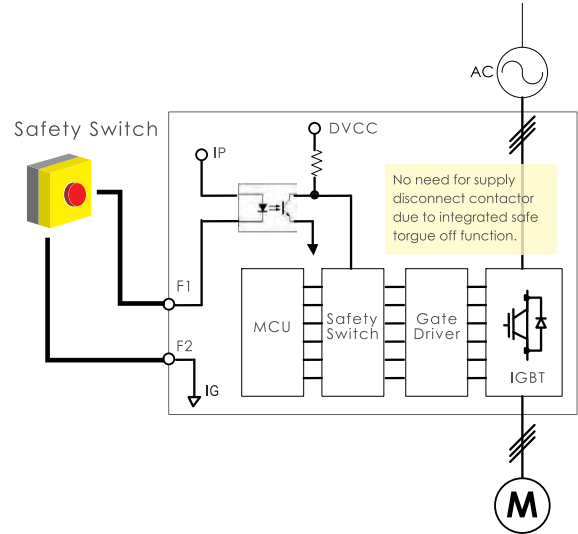
DOWN SIZE DESIGN

- New design with effective heat dissipation reduced size requiring less panel space.



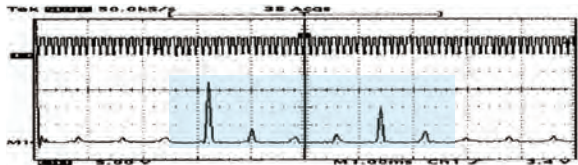
HARDWARE SAFE TORQUE OFF FUNCTION

- Built-in high reliable hardware circuit for safe torque off.



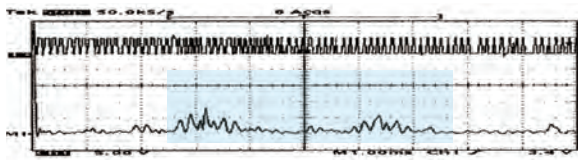
ULTRA LOW MOTOR NOISE

Traditional PWM modulation method



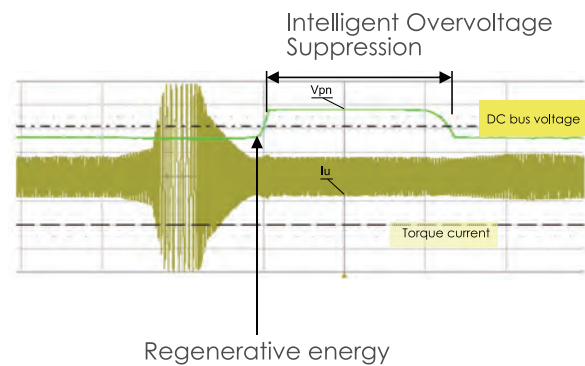
Unique Soft PWM modulation technology lowers the audible motor noise for quieter industrial environment

Soft PWM modulation method



INTELLIGENT OVER VOLTAGE SUPPRESSION

- Suppress over voltage caused by regenerative loads and redirect regenerative energy back to the load. Intelligent overvoltage suppression will not only protect the drive but also removes the need for costly braking units.



The Complete Motor Control Solution

with powers for a wide range of applications



Gravitational Handling Equipment

| Crane, Elevator

Metal Processing Machine

| Press, Lathes

Plastics/Rubber Processing Machine

| Extruder, Injection Molding Machine

Tension Control Equipment

| Printing Machine, Reeling Machine

Textile Machine

| Dyeing and Finishing Machine

Wire/Cable Making Machine

| Wire Drawing Machine

SELECTION GUIDE

Dual rating design for heavy duty and normal duty applications.

ND. Selection Guide
Overload Capability Up To 120%/60sec

Driving higher horsepower motor in normal duty mode includes fans, pumps, HVAC, etc.

Example:
 Select A510-2002-H model for 3HP motor in pump application. Sets 00-27=1 (ND Mode)

HD. Selection Guide
Overload Capability Up To 150%/60sec and 200%/2sec

Driving the same horsepower motor in heavy duty mode includes lifts, press, machine tools, etc.

Example:
 Select A510-2015-H model for 15HP motor in conveyor application. Sets 00-27=0 (HD Mode)

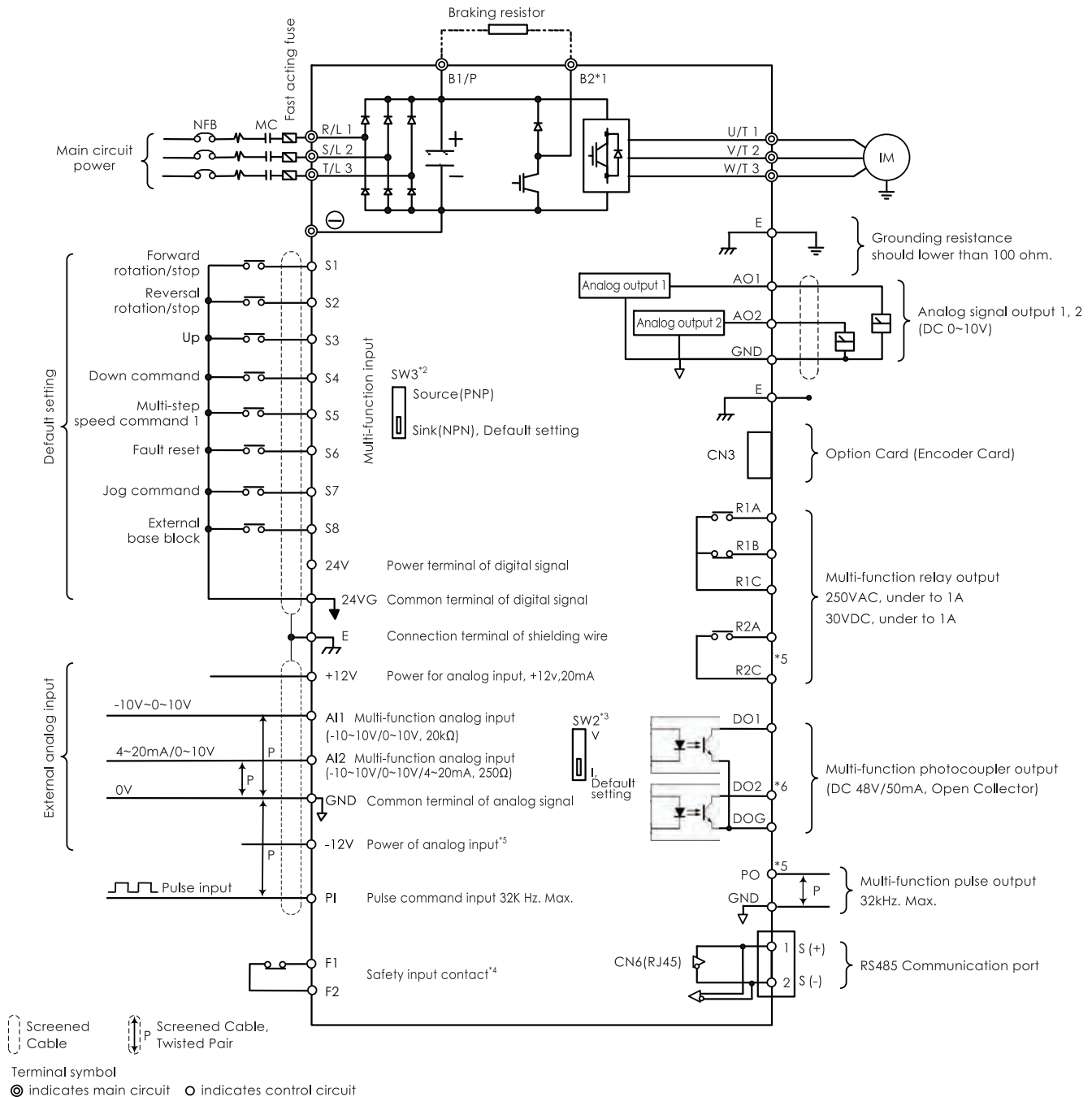
Maximum Applicable Motor (HP) (kW)		Three Phase 220V				Three Phase 440V			
		Normal Duty (ND)		Heavy Duty (HD)		Normal Duty (ND)		Heavy Duty (HD)	
		Model Name	Rated Output Current	Model Name	Rated Output Current	Model Name	Rated Output Current	Model Name	Rated Output Current
1	0.75			A510-2001-H	5A			A510-4001-H3(F)	3.4A
1.5	1.1	A510-2001-H	6A						
2	1.5			A510-2002-H	8A	A510-4001-H3(F)	4.1A	A510-4002-H3(F)	4.2A
3	2.2	A510-2002-H	9.6A	A510-2003-H	11A	A510-4002-H3(F)	5.4A	A510-4003-H3(F)	5.5A
5	3.7	A510-2003-H	12A	A510-2005-H3	17.5A	A510-4003-H3(F)	6.9A	A510-4005-H3(F)	9.2A
7.5	5.5	A510-2005-H3	21A	A510-2008-H3	25A	A510-4005-H3(F)	11.1A	A510-4008-H3(F)	14.8A
10	7.5	A510-2008-H3	30A	A510-2010-H3	33A	A510-4008-H3(F)	17.5A	A510-4010-H3(F)	18A
15	11	A510-2010-H3	40A	A510-2015-H3	47A	A510-4010-H3(F)	23A	A510-4015-H3(F)	24A
20	15	A510-2015-H3	56A	A510-2020-H3	60A	A510-4015-H3(F)	31A	A510-4020-H3(F)	31A
25	18.5	A510-2020-H3	69A	A510-2025-H3	73A	A510-4020-H3(F)	38A	A510-4025-H3(F)	39A
30	22	A510-2025-H3	79A	A510-2030-H3	85A	A510-4025-H3(F)	44A	A510-4030-H3(F)	45A
40	30	A510-2030-H3	110A	A510-2040-H3	115A	A510-4030-H3(F)	58A	A510-4040-H3(F)	60A
50	37	A510-2040-H3	138A	A510-2050-H3	145A	A510-4040-H3(F)	72A	A510-4050-H3(F)	75A
60	45	A510-2050-H3	169A	A510-2060-H3	180A	A510-4050-H3(F)	88A	A510-4060-H3(F)	91A
75	55	A510-2060-H3	200A	A510-2075-H3	215A	A510-4060-H3(F)	103A	A510-4075-H3	118A
100	75	A510-2075-H3	250A	A510-2100-H3	283A	A510-4075-H3	145A	A510-4100-H3	150A
125	94	A510-2100-H3	312A	A510-2125-H3	346A	A510-4100-H3	165A	A510-4125-H3	180A
150	112	A510-2125-H3	360A	A510-2150-H3	415A	A510-4125-H3	208A	A510-4150-H3	216A
175	130	A510-2150-H3	450A			A510-4150-H3	250A	A510-4175-H3	260A
215	160					A510-4175-H3	296A	A510-4215-H3	295A
250	185					A510-4215-H3	328A	A510-4250-H3	370A
270	200					A510-4250-H3	435A		
300	220							A510-4300-H3	450A
335	250					A510-4300-H3	515A		
375	280							A510-4375-H3	523A
425	315					A510-4375-H3	585A		

Model Name

A510 - 2 001 - H 3 F

A510 Series Input Voltage: 2 : 200V, 4 : 400V Horsepower: 001 : 1HP, |, 375 : 375HP Type: H : Standard Type (LED Display), C : Graphic Type (LCD Display) Power Source Type: Blank : Single or Three Phase, 3 : Three Phase Filter: Blank : None, F : Built-in

WIRING DIAGRAM



Remark:

- *1: Only the main circuit of 220V1~25HP and 440V~30HP (included) or models of lower capacity with built-in braking resistor provide terminal B2. The braking resistor can be connected directly between B1 and B2.
- *2: The multi-function digital input terminals S1~S8 can be set to Source (PNP) or Sink (NPN) mode by SW3.
- *3: Multi-function analog input 2 (AI2) can be set to the voltage command input (0-10/-10-10v) or the current command input (4~20mA) by SW2.
- *4: When integrated safety function is NOT used, connect a link across terminals F1 & F2 for the inverter output to function. External safety circuits can be interfaced with inverter using terminals F1 and F2.
- *5: Terminals -12V, R2A-R2C and PO-GND are provided for 220V 3HP and 440V 5HP ratings and above.
- *6: Terminals DO2 and DOE are provided for 220V 2HP and 440V 3HP ratings and above.

SPECIFICATIONS

220V Class

Inverter Capacity (HP)		1	2	3	5	7.5	10	15	20	25	30	40	50	60	75	100	125 ^{*2}	150 ^{*2}	
Output Rating	Rated Output Capacity (KVA)	1.9	3	4.2	6.7	9.5	12.6	17.9	22.9	28.6	32.4	43.8	55.3	68.6	81.9	108	132	158	
	HD ^{*8}	Rated Output Current (A)	5 ^{*4}	8 ^{*4}	11 ^{*4}	17.5 ^{*4}	25 ^{*4}	33 ^{*4}	47 ^{*4}	60 ^{*4}	73 ^{*6}	85 ^{*5}	115 ^{*5}	145 ^{*5}	180 ^{*5}	215 ^{*5}	283 ^{*5}	346	415
		Maximum Applicable Motor ^{*1} HP (KW)	1 (0.75)	2 (1.5)	3 (2.2)	5 (3.7)	7.5 (5.5)	10 (7.5)	15 (11)	20 (15)	25 (18.5)	30 (22)	40 (30)	50 (37)	60 (45)	75 (55)	100 (75)	125 (90)	150 (110)
	ND ^{*3}	Rated Output Current (A)	6	9.6	12	21	30	40	56	69	79	110	138	169	200	250	312	360	450
		Maximum Applicable Motor ^{*1} HP (KW)	1.5 (1.1)	3 (2.2)	4 (3)	7.5 (5.5)	10 (7.5)	15 (11)	20 (15)	25 (18.5)	30 (22)	40 (30)	50 (37)	60 (45)	75 (55)	100 (75)	125 (90)	150 (110)	175 (130)
	Maximum Output Voltage (V)		Three Phase, 200V to 240V																
Maximum Output Frequency (Hz)		Based on parameter setting 0.1~400.0 (1200.0) Hz ^{*9}																	
Input Power	Rated Voltage, Frequency	Single or Three Phase, 200V to 240V, 50/60Hz			Three Phase, 200V to 240V, 50/60Hz ^{*5}														
	Allowable Voltage Fluctuation	-15% ~ +10%																	
	Allowable Frequency Fluctuation	±5%																	
Braking Transistor		Built-in									Option (Braking Module)								
Frame Size		1	2	3	4	5	6	7	8										

440V Class

Inverter Capacity (HP)		1	2	3	5	7.5	10	15	20	25	30	40	50	60	75	100	125	150	175	215	250 ^{*2}	300 ^{*2}	375 ^{*2}		
Output Rating	Rated Output Capacity (KVA)	2.6	3.7	4.2	7	11.3	13.7	18.3	23.6	29.7	34.3	45.7	57.2	69.3	85.4	114	137	165	198	225	270	317	400		
	HD ^{*8}	Rated Output Current (A)	3.4 ^{*4}	4.2 ^{*4}	5.5 ^{*4}	9.2 ^{*4}	14.8 ^{*4}	18 ^{*4}	24 ^{*4}	31 ^{*4}	39 ^{*4}	45 ^{*4}	60 ^{*5}	75 ^{*5}	91 ^{*5}	118 ^{*5}	150 ^{*5}	180 ^{*5}	216 ^{*5}	260 ^{*5}	295 ^{*7}	370	450	523	
		Maximum Applicable Motor ^{*1} HP (KW)	1 (0.75)	2 (1.5)	3 (2.2)	5 (4)	7.5 (5.5)	10 (7.5)	15 (11)	20 (15)	25 (18.5)	30 (22)	40 (30)	50 (37)	60 (45)	75 (55)	100 (75)	125 (90)	150 (110)	175 (132)	215 (160)	250 (185)	300 (220)	375 (280)	
	ND ^{*3}	Rated Output Current (A)	4.1	5.4	6.9	11.1	17.5	23	31	38	44	58	72	88	103	145	165	208	250	296	328	435	515	600	
		Maximum Applicable Motor ^{*1} HP (KW)	2 (1.5)	3 (2.2)	4 (3)	7.5 (5.5)	10 (7.5)	15 (11)	20 (15)	25 (18.5)	30 (22)	40 (30)	50 (37)	60 (45)	75 (55)	100 (75)	125 (90)	150 (110)	175 (132)	215 (160)	250 (185)	270 (200)	335 (250)	425 (315)	
	Maximum Output Voltage (V)		Three Phase, 380V to 480V																						
Maximum Output Frequency (Hz)		Based on parameter setting 0.1~400.0(1200.0) Hz ^{*9}																							
Input Power	Rated Voltage, Frequency	Three Phase, 380V to 480V, 50/60Hz																							
	Allowable Voltage Fluctuation	-15% ~ +10%																							
	Allowable Frequency Fluctuation	±5%																							
Braking Transistor		Built-in									Option (Braking Module)														
Frame Size		1	2	3	4	5	6	7	8																

Notes:

- *1. For standard induction motors selected inverter must have an output current rating higher than the motor.
- *2. 220V 125HP / 440V 250HP models or above are under development.
- *3. The carrier frequency of factory default is 2kHz, if the setting value is higher than factory default, de-rating may be required.
- *4. The carrier frequency of factory default is 8kHz, if the setting value is higher than factory default, de-rating may be required.
- *5. The carrier frequency of factory default is 5kHz, if the setting value is higher than factory default, de-rating may be required.
- *6. The carrier frequency of factory default is 6kHz, if the setting value is higher than factory default, de-rating may be required.
- *7. The carrier frequency of factory default is 3kHz, if the setting value is higher than factory default, de-rating may be required.
- *8. A510 model is designed to use in heavy load conditions, the factory setting takes HD (heavy load type) as the base.
- *9. The maximum output frequency of each control modes is different, please read user manual for more details.

GENERAL SPECIFICATIONS

Control Characteristics	Display	LED keypad with 5-digits seven-segment display (LCD keypad option)	
	Control Modes	V/F, V/F+PG, SLV, SV, PMSV, PMSLV ¹ (SVPWM Modulation)	
	Output Frequency	0.1Hz~400.0Hz (1200.0Hz ³)	
	Frequency Accuracy	Digital references: ±0.01%(-10 to +40°C), Analog references: ±0.1% (25°C ±10°C)	
	Speed Control Accuracy	±0.1%(Sensor Vector Control Mode, SV) ² · ±0.5%(Sensorless Vector Control Mode, SLV) ²	
	Frequency Setting Resolution	Digital References:0.01Hz, Analog References: 0.06Hz at 60Hz	
	Output Frequency Resolution	0.01Hz	
	Overload Tolerance	Heavy Duty Mode (HD.) : 150% rated current for 60sec, 200% rated current for 2 sec. (Factory default) Normal Duty Mode (ND.) : 120% rated current for 60sec	
	Frequency Setting Signal	0 to +10V , 4 to 20mA, -10V to +10V or pulse train input	
	Acceleration / Deceleration Time	0.0~6000.0 sec (separately set acceleration and deceleration time)	
	Voltage / Frequency Characteristics	15 fixed and one customized v/f pattern	
	Braking Torque	Approximate 20%	
	Protection Functions	Main Control Functions	Auto Tuning, Zero Servo, Torque Control, Position Control, Droop, Soft-PWM, Over-Voltage Protection, Dynamic Braking, Speed Search, Frequency Traversing, Momentary Power Loss Restart, PID Control, Automatic Torque Compensation, Slip Compensation, RS-485 Communication, Close Loop Control with PG, Simple PLC Function, Two Analog Output, Safety input contact
Other Functions		Records of Power ON and Operation Time, Four Fault History Records and Latest Fault State Record, Energy-Saving Function, Phase Loss Protection, DC Braking, Dwell, S Curve Acceleration and Deceleration, Up / Down Operation, MODBUS Communication Protocol, Output of Pulse Multiple, Display of Engineering Unit, Local / Remote Switching, SINK / SOURCE Selection	
Stall Prevention		Current level can be adjusted. (In acceleration or constant speed, it can be set separately. In deceleration, it can be set with or without stall protection)	
Over Current (OC) and Output Short-Circuit (SC) Protection		It stops when the current exceeds 200% of the inverter rated current.	
Inverter Overload Protection (OL2)		Inverter will be stopped when the output is higher than below conditions. Heavy Duty Mode (HD.) : 150% rated current for 60sec, 200% rated current for 2 sec. (Factory default), Carrier frequency is from 2kHz to 8kHz. Normal Duty Mode (ND.) : 120% rated current for 60sec, Carrier frequency is 2kHz.	
Motor Overload Protection (OL1)		Electrical overload protection curve	
Over Voltage Protection (OV)		If the main circuit DC voltage is over 410V (220V class) / 820V (440V class), the motor stops running.	
Under Voltage (UV)		If the main circuit DC voltage is under 190V (220V class) / 380V (440V class), the motor stops running.	
Momentary Power Loss Restart		Power loss exceeds 15ms You can set the function of momentary power loss restart to up to 2 sec	
Overheat Protection (OH)		Thermistor sensor on heatsink	
Ground Fault Protection (GF)		Protection by current detection circuit	
Charge Indicator		When main circuit DC voltage ≥50V, the CHARGE LED is on.	
Environment Specification		Output Phase Loss Protection (OPL)	If the OPL function acts, the motor stops rotation automatically
	Location	Indoor (Protected from corrosive gases and dust)	
	Ambient Temperature	-10 to +40°C without de-rating (IP20/NEMA1), -10 to +50°C (IP00), with de-rating, its maximum operation temperature is 60°C	
	Storage Temperature	-20~+70°C	
	Humidity	95%RH or less (no condensation)	
	Altitude and Vibration	Altitude of 1000 meters or lower, less than 5.9m/s2(0.6G)	
	Communication Function	Built-in RS-485 as standard (MODBUS protocol with standard RJ45)	
Certification	PLC function	Built-in	
	Electromagnetic Interference (EMI)	Meets EN61800-3 standard, 400V 60HP or below can be built in.	
	Electromagnetic Compatibility (EMS)	Meets EN61800-3 standard	
	Option Card	CE	Meets EN61800-3 (CE & RE) and EN61800-5-1(LVD)
		UL	UL508C
	Option Card	Open collector type(IM) , line driver type(IM) and Line driver type for PM motor	

Remark:

*1. PM sensorless control mode require specific software, this will be available on 2012 Q2. Please contact TECO for further information.

*2. Speed control accuracy will be influenced when the motor and installation condition are different.

*3. The maximum output frequency of each control modes is different, please read user manual for more details.

DIMENSIONS

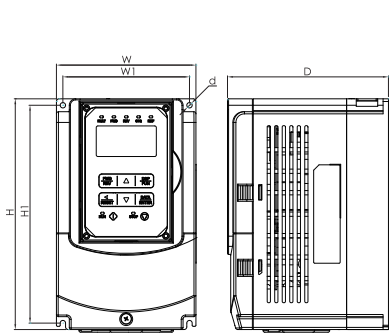


Figure A

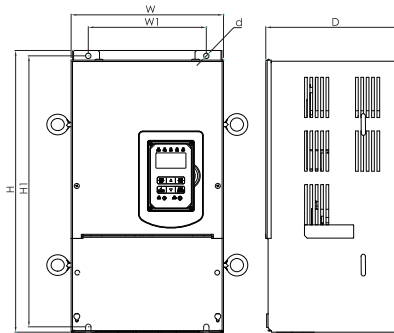


Figure B

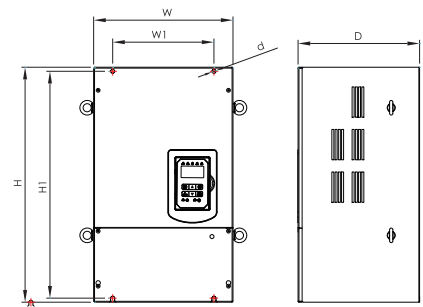


Figure C

Models	Dimensions (mm)										
	W	H	D	W1	H1	t	d	Weight (kg)	Frame	Figure	Enclosure
A510-2001-H	130	215	150	118	203	5	M5	2.2	1	A	IP20/NEMA1
A510-2002-H											
A510-4001-H3											
A510-4002-H3											
A510-4003-H3											
A510-2003-H	140	279	177	122	267	7	M5	3.8	2		
A510-2005-H3											
A510-4005-H3											
A510-4008-H3											
A510-2008-H3	210	300	215	192	286	1.6	M6	6.2	3		
A510-2010-H3											
A510-4010-H3											
A510-4015-H3											
A510-2015-H3										265	360
A510-2020-H3											
A510-2025-H3											
A510-4020-H3											
A510-4025-H3											
A510-4030-H3	284	525	252	220	505	1.6	M8	30	5	B	
A510-2030-H3											
A510-2040-H3											
A510-4040-H3											
A510-4050-H3											
A510-4060-H3	344	580	300	250	560	1.6	M8	40.5	6	C	IP00*1
A510-2050-H3											
A510-2060-H3											
A510-4075-H3											
A510-4100-H3											
A510-2075-H3											
A510-2100-H3											
A510-4125-H3											
A510-4150-H3											
A510-4175-H3											
A510-4215-H3											

*1. NEMA1 kit for option.



Distributor

TECO
TECO ELECTRIC & MACHINERY CO., LTD.

10F, No. 3-1, Yuan Cyu St., Nan-Kang District, Taipei 115, Taiwan
TEL : 886-2-6615-9111Ext.1725 FAX : 886-2-6615-1033
<http://www.teco.com.tw/sa/en>

GJ-66-00 2012-03-20